
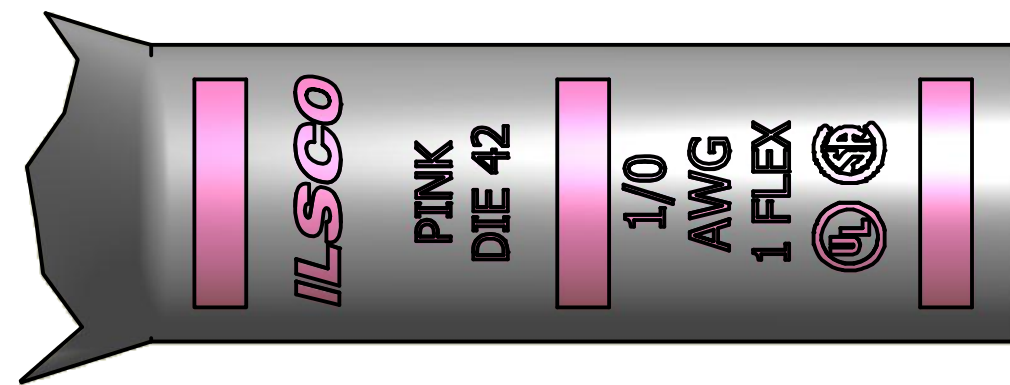
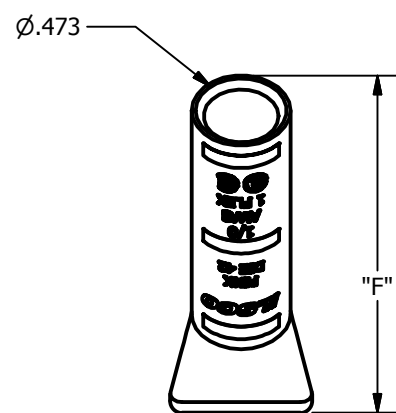
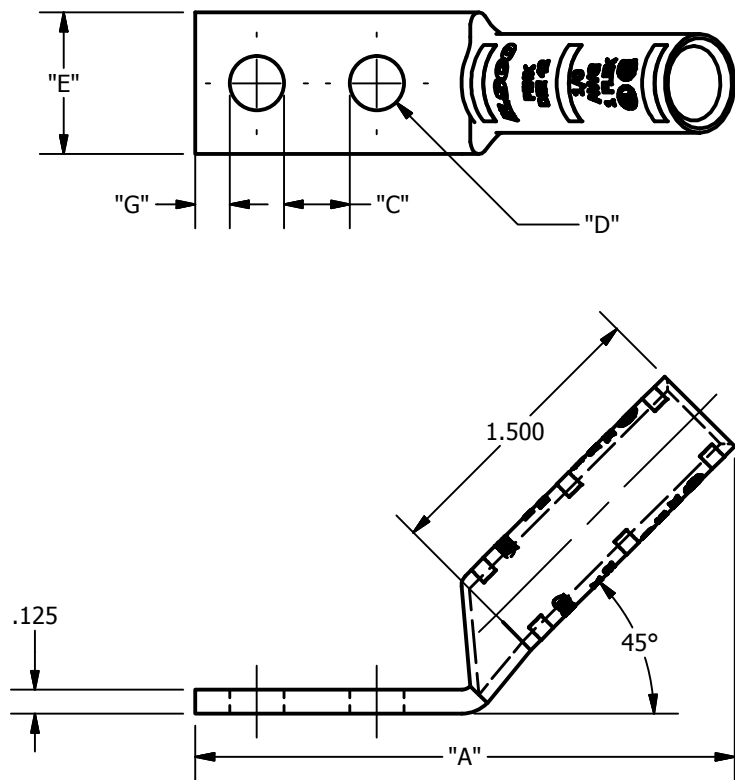


SCREW: NONE	MATERIAL: COPPER	REV: D	 800-776-9775 www.ilSCO.com
CAT. NO.: SEE CHART	PLATING: EL-TIN	DRAWN BY:DW SCALE: NTS	
INFORMATION SHEET:FORM 157	MARKING: SEE BELOW	DATE:6/3/2008 SIZE: B	
			DWG NO: Y0703-D-4
			SHEET: 1 OF 1



DETAIL E
INK MARK TOP & BOTTOM

CATALOG NUMBER	"A"	"C"	"D"	"E"	"F"	"G"	TANG MARKING
CLNB-1/0-10-12-4	2.728	0.281	0.219	0.738	1.764	0.148	
CLNB-1/0-10-58-4	2.728	0.406	0.219	0.738	1.764	0.148	
CLNB-1/0-10-1116-4	2.728	0.468	0.219	0.738	1.764	0.148	
CLNB-1/0-10-34-4	2.915	0.531	0.219	0.738	1.764	0.148	
CLNB-1/0-10-1-4	3.165	0.781	0.219	0.738	1.764	0.148	
CLNB-1/0-14-12-4	2.728	0.219	0.281	0.738	1.764	0.180	
CLNB-1/0-14-58-4	2.915	0.344	0.281	0.738	1.764	0.180	
CLNB-1/0-14-34-4	2.915	0.469	0.281	0.738	1.764	0.180	
CLNB-1/0-14-1-4	3.165	0.719	0.281	0.738	1.764	0.180	
CLNB-1/0-516-58-4	2.915	0.282	0.343	0.738	1.764	0.180	
CLNB-1/0-516-34-4	3.165	0.407	0.343	0.738	1.764	0.180	
CLNB-1/0-516-78-4	3.165	0.532	0.343	0.738	1.764	0.180	
CLNB-1/0-516-1-4	3.415	0.657	0.343	0.738	1.764	0.180	
CLNB-1/0-516-134-4	3.978	1.407	0.343	0.738	1.764	0.180	
CLNB-1/0-38-34-4	3.165	0.344	0.406	0.738	1.764	0.211	
CLNB-1/0-38-78-4	3.415	0.469	0.406	0.738	1.764	0.211	
CLNB-1/0-38-1-4	3.415	0.594	0.406	0.738	1.764	0.211	
CLNB-1/0-38-116-4	3.415	0.656	0.406	0.738	1.764	0.211	
CLNB-1/0-38-118-4	3.603	0.719	0.406	0.738	1.764	0.211	
CLNB-1/0-38-134-4	4.103	1.344	0.406	0.738	1.764	0.211	
CLNB-1/0-38-2-4	4.478	1.594	0.406	0.738	1.764	0.211	
CLNB-1/0-12-1-4	3.603	0.438	0.562	0.738	1.764	0.265	
CLNB-1/0-12-114-4	3.978	0.688	0.562	0.738	1.764	0.265	
CLNB-1/0-12-112-4	4.103	0.938	0.562	0.738	1.764	0.265	
CLNB-1/0-12-134-4	4.478	1.188	0.562	0.738	1.764	0.265	ILSCO, CLNB-10-12-134-4, 1/2 X 1-3/4, 1/0 AWG, 1 FLEX, DIE 42, UL, CSA
CLNB-1/0-12-178-4	4.478	1.313	0.562	0.738	1.764	0.265	